



Rio Rubber Track™

Rio Rubber Track, Inc.

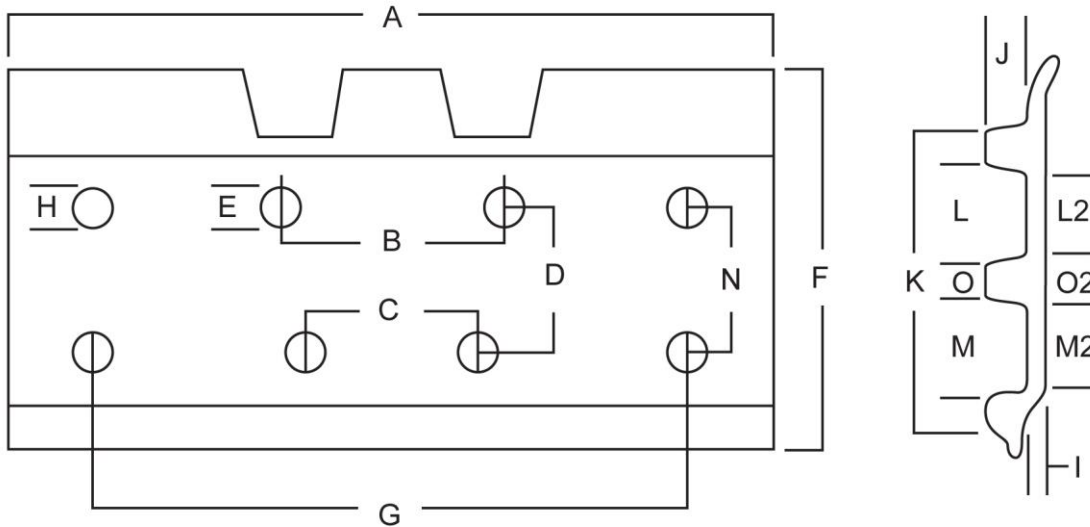
Premium Rubber & Carbide Wear-Parts for
Heavy Construction Equipment

43300 Business Park Drive – # A103, Temecula, CA 92590 • P: 855-474-6872 • F: 951-240-3440 • www.riotrack.com • jeff@riotrack.com

TO: Mr.

Phone:
Fax:
Email:

GROUSER - WORKSHEET



Machine Make:		CHAIN LINK PITCH:	
Model #:		QTY – LINKS x TRACKS:	

	IN	MM		IN	MM		IN	MM
A:			G:			M:		
B:			H:			N:		
C:			I:			O:		
D:			J:			L2:		
E:			K:			O2:		
F:			L:			M2:		