



Rio Rubber Track™

Rio Rubber Track, Inc.

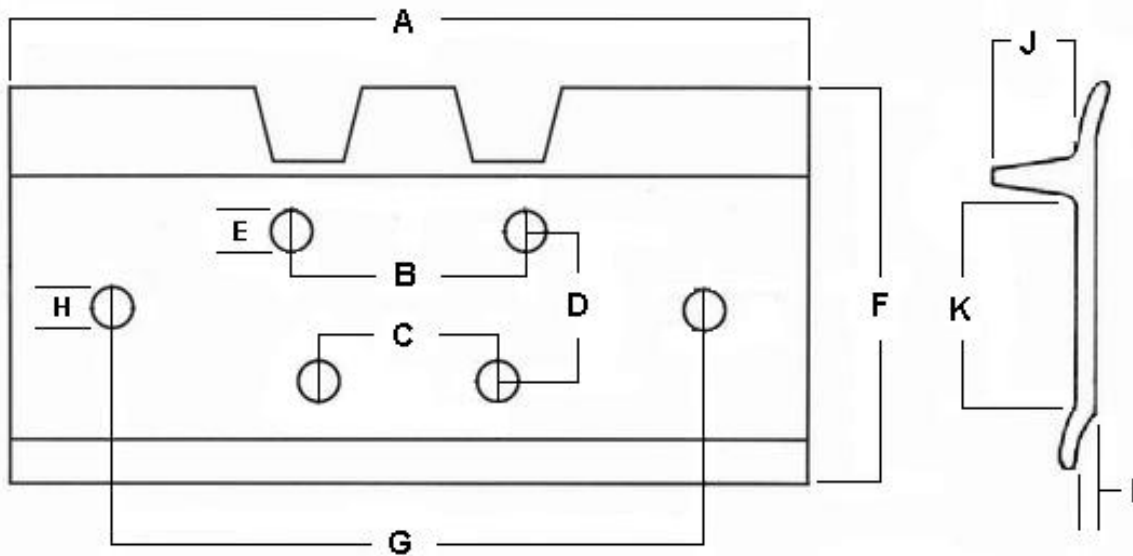
Premium Rubber & Carbide Wear-Parts for
Heavy Construction Equipment

42075 Remington Ave. #101, Temecula, CA 92590 • P: 855-474-6872 • F: 951-240-3440 • www.riotrack.com • jeff@riotrack.com

TO:

Phone:
Fax:
Email:

Single Bar GROUSER - WORKSHEET



MACHINE:		CHAIN LINK PITCH:	
EVERPAD™ #:		QTY – LINKS x TRACKS:	

	IN	MM		IN	MM		IN	MM
A:			F:			K:		
B:			G:			L:		
C:			H:			M:		
D:			I:			N:		
E:			J:			O:		