



Rio Rubber Track™

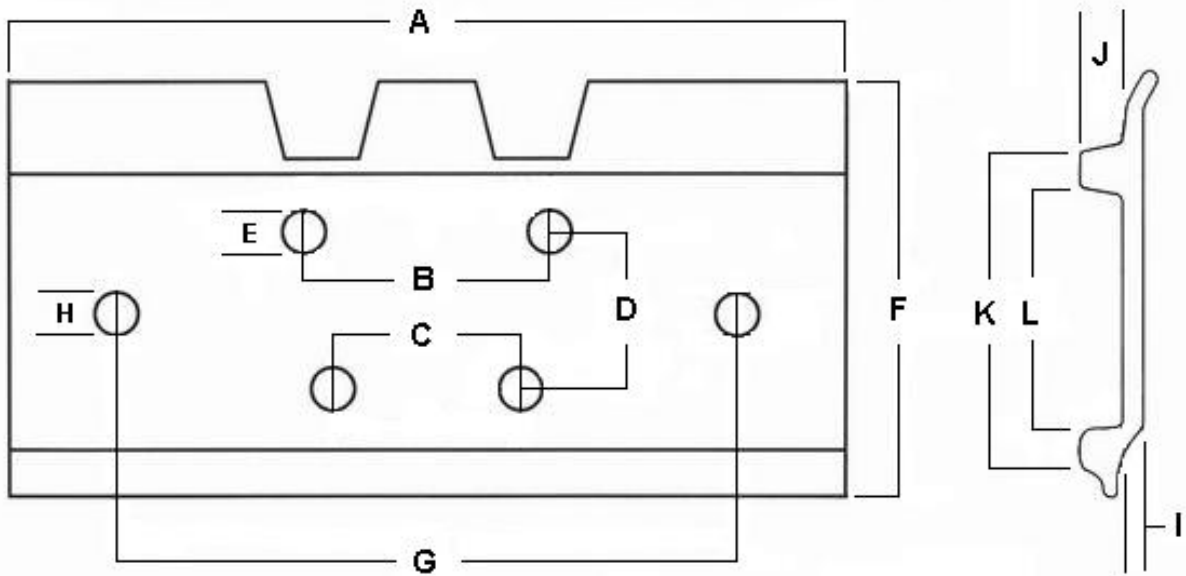
Rio Rubber Track, Inc.

Premium Rubber & Carbide Wear-Parts for
Heavy Construction Equipment

42075 Remington Ave. #101, Temecula, CA 92590 • P: 855-474-6872 • F: 951-240-3440 • www.riotrack.com • jeff@riotrack.com

TO:

Double Bar GROUSER - WORKSHEET



| | | | |
|--------------------|--|------------------------------|--|
| MACHINE: | | CHAIN LINK PITCH: | |
| EVERPAD™ #: | | QTY – LINKS x TRACKS: | |

| | IN | MM | | IN | MM | | IN | MM |
|-----------|----|----|-----------|----|----|-----------|----|----|
| A: | | | F: | | | K: | | |
| B: | | | G: | | | L: | | |
| C: | | | H: | | | | | |
| D: | | | I: | | | | | |
| E: | | | J: | | | | | |